

Implementing Constant Current Constant Voltage AC Adapter by NCP1200 and NCP4300A

Prepared by: Hector Ng
ON Semiconductor



ON Semiconductor™

<http://onsemi.com>

APPLICATION NOTE

Introduction

This paper describes a compact design of constant current constant voltage (CCCV) AC adapter based on the current mode PWM controller NCP1200 and the secondary side feedback IC NCP4300A. By these two ICs from ON Semiconductor, circuit design is much simplified. These devices enable users to meet ever increasing demand of smaller dimension and more sophisticated protection feature of AC adapter.

On the primary side, NCP1200 is used as the PWM controller. This current mode controller requires very few external components and no auxiliary winding is needed to supply this IC. In addition, NCP1200 can fulfill IEA recommendation easily because it features a pulse skipping low power consumption mode.

NCP4300A is a general purpose device which consists of two operational amplifiers and a high precision voltage reference. One of the operational amplifiers is capable of rail to rail operation. NCP4300A is employed to provide voltage as well as current feedback to NCP1200.

Output of the AC adapter is maintained at 5.2 V from no load to 600 mA. Further increase in load enters constant current output portion and output is kept at 600 mA down to zero volt. This output characteristic assures a basic protection against battery overcharge which is needed by a lot of applications, for instance cellular phone AC adapter.

Circuit Description

Circuit and BOM of the AC adapter is shown in Figure 1 and Table 1. This design can accept universal AC input from 90 V to 264 VAC. Bulk capacitors C5 and C6 are split by inductor L1 and L2 to form the EMI filter as well as to provide energy storage for the remaining DC to DC converter circuit. Thanks to dynamic self supply of NCP1200 (please refer to NCP1200 data sheet), Vcc capacitor C7 is charged to startup voltage 11.4 V and the power MOSFET MTD1N60E starts switching. To reduce power consumption of NCP1200, HV pin (pin 8) is supplied by half wave rectification through a parallel combination of diode D6 and resistor R13. A small signal diode 1N4148 is enough for this function because diode D6 just has to withstand one diode drop during negative half cycle. R13 is to equilibrate the voltages on the 1N4148 when both diodes and high volt current source of NCP1200 are in the off state. R12 is to set the power level at which NCP1200 goes into pulse skipping, please refer to below section for more details. RCD snubber R1, C1 and D3 provides the necessary snubbing function to prevent drain voltage of MTD1N60E to exceed 600 V. Choosing suitable value for the sensing resistor R7 is very important as it limits the primary peak current during power up. If its value is too low, the system cannot deliver enough power during full load low AC input. On the contrary, the transformer may go into saturation and damages Q1 and NCP1200. Information on how to determine value of R7 is elaborated in latter paragraph.

AND8042/D

Table 1.

Reference	Part	Quantity	Manufacturer
U1	NCP1200D60	1	ON Semiconductor
U2	DF06S	1	General Semi or IR
U3	NCP4300AD	1	ON Semiconductor
U4	SFH6156-3	1	Infineon
Q1	MTD1N60E	1	ON Semiconductor
C1	470 p, 250 V	1	
C2, C7	10 μ F, 25 V	2	
C3	330 μ F, 35 V	1	Panasonic FC Series or Rubycon JXA Series
C4	47 μ F, 16 V	1	Panasonic FC Series or Rubycon JXA Series
C5, C6	4.7 μ F, 400 V	2	
C8	0.1 μ F	1	
C9	0.047 μ F	1	
R1	100 K Ω , 1.0 W	1	
R2	3.3 K	1	
R3, R5	10 K, 1%	2	
R4	1.5 K	1	
R6	0.15 W, 0.1 W SMT	1	
R7	3.3 Ω , 0.6 W	1	
R8	2.7 K Ω , 1%	1	
R9	470 Ω	1	
R10	68 K	1	
R11	75 K Ω , 1%	1	
R12	10 K Ω	1	
R13	220 K Ω	1	
D1	MUR120	1	ON Semiconductor
D4, D5, D6	1N4148	3	
D2	1N5819	1	ON Semiconductor
D3	1N4937	1	ON Semiconductor
L1, L2	470 μ H, 0.2 A	2	
L3	4.7 μ H, 1.0 A	1	
T1	Transformer	1	
C10	1.0 nF, 250 VAC, Y1 Cap	1	

The secondary side of the transformer consists of 2 windings, the output winding as well as a higher voltage winding which is used to supply power to NCP4300A. As the output may drop to 0 V during constant current operation, turn ratio of this higher voltage winding must be able to sustain minimum Vcc as specify by NCP4300A. Or else, the system will be lost of feedback and the output is not under control anymore. Figure 2 shows the internal block of NCP4300A. A 2.6 V, 1.0% tolerance voltage reference is connected to the non-inverting terminal of OP1. Thus, OP1 gives voltage feedback when its inverting terminal is connected to the potential divider R3 and R5. Characteristic of the voltage reference is similar to industry standard TL431 and a bias current supplied by R2 is needed to guarantee proper operation. This 2.6 V is also divided down by R11 and R8 to provide reference for output current sensing. Voltage developed at the non-inverting terminal of OP2 is:

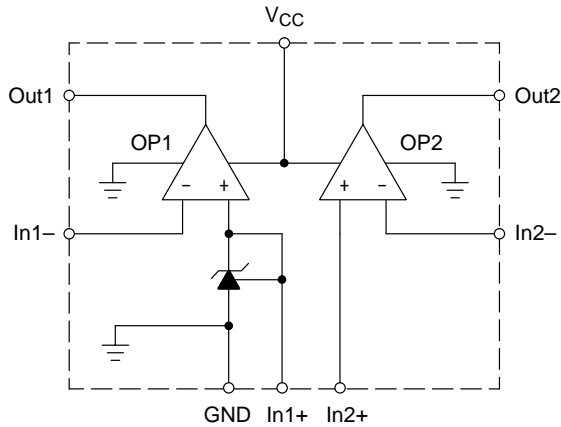


Figure 2.

$$V_{\text{current - reference}} = \left(\frac{2.7 \text{ K}}{2.7 \text{ K} + 75 \text{ K}} \right) \cdot 2.6 = 0.09 \text{ V}$$

Since Out1 and Out2 are wired together by diodes D4 and D5, feedback current through the opto-coupler U4 is dominated by whichever op-amp output that has a lower voltage. Thus feedback is dominated by OP1 until voltage developed across R6 reaches 0.09 V and this is equivalent to 600 mA passing through R6. Thanks to the rail to rail capability of OP2 in NCP4300A, current sensing function is guaranteed although voltage of non-inverting terminal of

OP2 is below ground. Once the output current reaches 600 mA, feedback action is taken over by OP2 and one will see a drop in output voltage if load is further increase but output current remains constant. C9, R10 and C8, R9 provide necessary feedback compensation for voltage and current loop respectively.

Transformer Design

Transformer design involves very tedious calculation. An Excel spreadsheet has been specially designed for NCP1200 to facilitate user with a quick determination of transformer parameters. Table 2 and Table 3 display the results of the spreadsheet after keying in system parameters. Although recommended transformer primary inductance is 4.6 mH, 3.2 mH is chosen instead. A lower primary inductance enables us to have a lower flyback voltage added to the drain of the power MOSFET. This in turn allow us to use a less heavy snubber which implies less power dissipated on the snubber. Disadvantage of a lower primary inductance is the increase in MOSFET conduction loss because of higher primary peak current. However, output of this AC adapter is only 3.0 W and typical R_{DS(on)} of MTD1N60E is merely 5.9 Ω. Increment in conduction loss is not significant in this case.

After the primary inductance is determined, we have to decide on the ferrite core. It can be seen from the Excel spreadsheet that E16/8/5 core is big enough for this transformer. Primary (N1) and secondary (N2) number of turns needed are 166 and 12 respectively. However, one more winding N3 is required to supply NCP4300A. It is critical that voltage output of N3 must be higher than minimum operating voltage of NCP4300A even when output has dropped to 0 V. Under this condition, output winding loop can be represented by Figure 3.

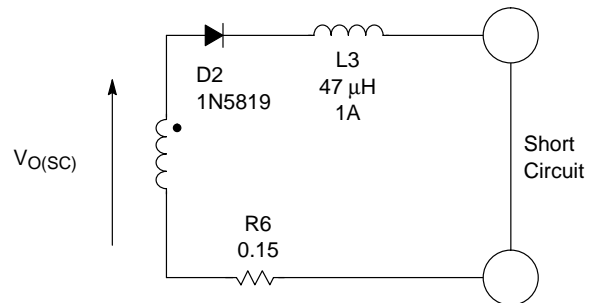


Figure 3.

AND8042/D

Table 2.

NCP1200 DISCONTINUOUS MODE DESIGN WORKSHEET			
System Parameters			
V_{max}	264 V	Maximum AC Input Voltage	User Input Cells
V_{min}	90 V	Minimum AC Input Voltage	Results
F_{line}	50 Hz	Line Frequency	
$V_{min(DC)}$	85.73 V	Minimum DC Voltage	
$F_{s(max)}$	69 KHz	Maximum Switching Frequency	
$F_{s(typ)}$	60 KHz	Typical Switching Frequency	
$F_{s(min)}$	51 KHz	Minimum Switching Frequency	
V_o	5.2 V	Output Voltage	Selected Device
I_o	0.6 A	Maximum Output Current	60 KHz
η	75%	Efficiency	
V_{bd}	600 V	Power MOSFET Breakdown Voltage	
V_d	1 V	Output Diode Voltage Drop	
P_I	4.16 W	Input Power	
$I_{in(pk)}$	0.21 A	Maximum Primary Peak Current	
$V_{o'}$	85.72 V	Reflected Output Voltage	
$V_{pwr_sw(max)}$	459.07 V	Maximum Voltage across the Power Switch Circuit (Less Leakage Spike)	
D_{max}	0.50	Maximum Turn On Duty (Full Load, Low Line)	
$I_{in(av)}$	0.05 A	Maximum Input Average Current	
Ratio N1/N2	13.83	Turn Ratio Between Primary and Secondary	
Recommended L_p	4.650 mH	Recommended Primary Inductance	
L_p	3.200 mH	Primary Inductance	
$R_{DS(ON)}$	16 ohm	Maximum $R_{DS(ON)}$ of Power MOSFET	
$P_{dls(pwr_sw)}$	0.12 W	Maximum Conduction Loss of Power MOSFET	
Input Filter Capacitor			
Recommended C_{in}	14 μ F	Recommended Input Filter Capacitance	
C_{in}	9.4 μ F	Input Filter Capacitance	
Output Diode Selection			
$I_o(pk)$	2.40 A	Output Peak Current	
V_{ro}	32.20 V	Output Maximum Reverse Voltage	

AND8042/D

Table 2. (continued)

NCP1200 DISCONTINUOUS MODE DESIGN WORKSHEET							
Wire Selection							
$I_{in(rms)}$	0.08 A		Maximum Input RMS Current				
$I_{o(rms)}$	0.98 A		Maximum Output RMS Current				
Lay_p	1		Layer of Primary Winding				
Lay_s	1		Layer of Secondary Winding				
Primary Wire Size	AWG 35		Maximum Wire Size				
Secondary Wire Size	AWG 24		AWG 24				
RMS Current Density	4.9 (A/mm ²)						
Core Selection							
Flux Density Safety Factor	0.4						
Bobbin Usage Factor	0.4						
Core Type	Core Type A	Core Type B	Core Type C	Core Type D	Core Type E		
Core Name	E 16/8/5	EI28-Z	E25/13/7	E 30/15/7	E32/16/9		
A_e	20.1	86	52.5	60	83	mm ²	Effective Area
B_{sat}	0.5	0.5	0.5	0.5	0.5	T	Saturation Magnetic Flux Density
A_w	22.3	39.4	61	90	108	mm ²	Bobbin Winding Window Area
A_{bob}	8.92	15.76	24.4	36	43.2	mm ²	Usable Area of Bobbin for Winding
Gap Length d	0.22	0.05	0.08	0.07	0.05	mm	
N_1	166	39	63	56	40		Primary Number of Turns
N_2	12	3	5	4	3		Secondary Number of Turns
A_p	0.02	0.02	0.02	0.02	0.02	mm ²	Area of Single Turn of Primary Wire
Lay_p	1	1	1	1	1		Layer of Primary Winding
A_{pri}	3.98	0.93	1.52	1.33	0.96	mm ²	Area of Primary Winding
A_s	0.26	0.26	0.26	0.26	0.26	mm ²	Area of a Single Turn of Secondary Wire
Lay_s	1	1	1	1	1		Layer of Secondary Winding
A_{sec}	3.12	0.73	1.19	1.04	0.75	mm ²	Area of Secondary Winding
A_{sum}	7.09	1.66	2.72	2.38	1.72	mm ²	Total Winding Area
Enough Space?	OK	OK	OK	OK	OK		
Maximum Peak Current (Sensing Resistor) Setting							
DL_p	10%		Tolerance of Primary Inductance				
$L_{p(min)}$	2.880 mH		Lowest Primary Inductance				
$L_{p(max)}$	3.520 mH		Highest Primary Inductance				
$I_{p(worst)}$	0.24 A		Worst Case Maximum Primary Peak Current (Lowest Switching Frequency and Lowest Primary Inductance)				
$R_{sense(max)}$	4.20 ohm		Maximum Allowable Sensing Resistance				
R_{sense}	3.30 ohm		Sensing Resistance				
B_{init}	0.32 T		Magnetic Flux Density During Startup				

Table 3.

Transformer Specification			
Primary Inductance	L_p	3.200 mH	
Core Type	=	E 16/8/5	
Primary Wire Size	=	AWG 35	
Layer of Primary Winding	=	1	Select Core Type
Primary Number of Turns	N_1	166	Core Type A
Secondary Wire Size	=	AWG 24	
Layer of Secondary Winding	=	1	
Secondary Number of Turns	N_2	12	
Gap Length	d	0.22 mm	
Enough Space?	=	OK	
Input Filter Capacitor			
Input Filter Capacitance	C_{in}	9.4 μ F	
Output Diode			
Maximum Reverse Voltage	V_{ro}	32.20 V	
Sensing Resistor			
Sensing Resistance	R_{sense}	3.30 ohm	

During flyback cycle, voltage across the output winding $V_{o(sc)}$ is:

$$V_{o(sc)} = V(D2) + V(L3) + V(R6) + V(\text{PCB trace})$$

$V(D2)$ = forward voltage drop of 1N5819 ≈ 0.6 V

If resistance of L3 is 0.1Ω , $V(L3) = 0.1 \Omega \times 0.6 \text{ A} = 0.06 \text{ V}$

$V(R6) = 0.15 \Omega \times 0.6 \text{ A} = 0.09 \text{ V}$

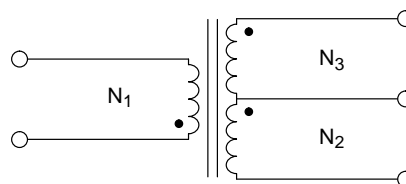
If resistance of PCB trace is 0.15Ω , $V(\text{PCB trace}) = 0.15 \Omega \times 0.6 \text{ A} = 0.09 \text{ V}$

Therefore $V_{o(sc)}$ is 0.84 V and volt/turn is $0.84/12 = 0.07$.

Minimum operating voltage of NCP4300A is 3.0 V. Its supply winding voltage has to be 0.6 V higher if we assume forward drop on MUR120 is 0.6 V. Minimum number of turns required for this winding is $3.6/0.07 \approx 52$ turns. As can be seen from the schematic, these 52 turns can be added on top of the output winding. Therefore 40 turns is enough for N3. When output is 5.2 V, supply winding voltage of NCP4300A is approximately 24.5 V. Thanks to its wide operating voltage, 24.5 V is below maximum operating voltage of NC4300A (35 V). The final design of the transformer is shown in Figure 4.

Another important consideration is the value of sensing resistor R7. Value of R7 control maximum primary peak current by the following equation.

$$I_p(\text{max}) = \frac{1.0 \text{ V}}{R7}$$



$N_1 = 166\text{T}$, AWG # 34, ϕ : 0.16 mm
 $N_2 = 12\text{T}$, AWG # 24, ϕ : 0.51 mm
 $N_3 = 40\text{T}$, AWG # 34, ϕ : 0.16 mm

Core = E16/8/5
 Magnetic Material = PC40 or N67
 Air Gap = 0.22 mm (center limb)
 Primary Inductance (Across N_1) = 3.2 mH

Figure 4.

For discontinuous mode operation, maximum power that can be delivered by the system is:

$$P_{\text{max}} = \frac{1}{2} L_p I_{pk}^2(\text{max}) f$$

Where L_p is the primary inductance which we already decided and f is the switching frequency. In other words, $I_{pk}(\text{max})$ must be high enough to give full load power and this implies that R7 cannot be too high. The Excel spreadsheet has calculated for us that R7 must be lower than 4.2Ω . 3.3Ω is chosen to give some headroom during transient response. Before finalizing on this value, one must make

sure that transformer does not saturate at power up. During power up when output voltage is much lower than rated value, MTD1N60E is switched off not by PWM action. The power MOSFET is switched off because the primary peak current has reached its maximum allowable value, $I_{p(max)}$. $I_{p(max)}$ drives the transformer core up the B–H curve of the magnetic material. B, magnetic flux density must be lower than the saturation value B_{sat} . For most magnetic material, B_{sat} equals 0.5 T at room temperature. Nevertheless, B_{sat} falls as temperature increases and at 120°C, B_{sat} becomes 0.35 T. Last row in Table 2 shows the magnetic flux density during startup. The value is 0.32 T, thus 3.3 Ω should give us a safe startup.

Pulse Skipping Mode

NCP1200 has a pulse skipping standby mode feature and the power level to enter standby mode is adjustable. Figure 5 shows the equivalent circuit of the Adj pin with a 10 K resistor connecting Adj pin to ground. When the voltage at FB pin falls below Adj pin, NCP1200 starts to skip cycle. This voltage V_{stby} is:

$$V_{stby} = \frac{10\text{ K}/29\text{ K}}{10\text{ K}/29\text{ K} + 75.5\text{ K}} \cdot 5.2\text{ V} = 0.466\text{ V}$$

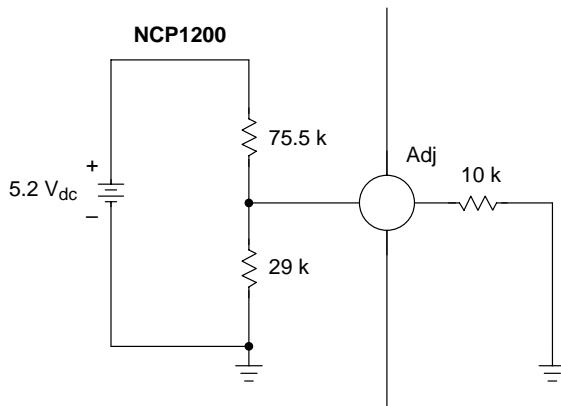


Figure 5.

Since NCP1200 is a current mode device, there is a direct relationship between voltage at the FB pin and the voltage developed by the peak current across the sensing resistor, ie. voltage at CS pin, V_{cs} . As can be seen from the block diagram of NCP1200 datasheet, V_{cs} is compared with one fourth of FB pin voltage. Therefore at the verge of entering into pulse skipping mode, we should see a relationship as shown on Figure 6.

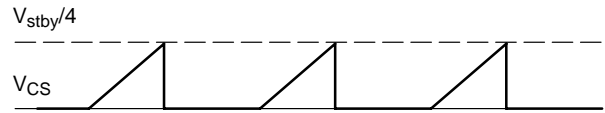


Figure 6.

Therefore the input power level P_{stby} that enters standby mode is given by the following equation.

$$\begin{aligned} P_{stby} &= \frac{1}{2} L_p \left(\frac{V_{stby}}{4R_7} \right)^2 f \\ &= 0.5 \times 3.2 \text{ E} - 3 \times \left(\frac{0.466}{4 \times 3.3} \right)^2 \times 60000 \\ &= 0.12\text{ W} \end{aligned}$$

At light load condition, efficiency should be lower than that of full load. Assume efficiency is 50% when input power is at 0.12 W, load current $I_{o(stby)}$ at that time is:

$$I_{o(stby)} = \frac{0.12\text{ W} \times 50\%}{5.2\text{ V}} = 0.01\text{ A}$$

Remember that V_o drops when I_o attains 0.6 A. When V_o drops below certain voltage, NCP1200 will also enters pulse skipping mode. Once again, assume efficiency is 50% when input power is at 0.12 W, $V_{o(stby)}$ at that time is:

$$V_{o(stby)} = \frac{0.12\text{ W} \times 50\%}{0.6\text{ A}} = 0.1\text{ V}$$

In summary, NCP1200 starts pulse skipping when I_o is below 0.01 A or V_o is below 0.1 V.

Actual Performance

Figure 7 and Table 4 shows the actual performance of the circuit.

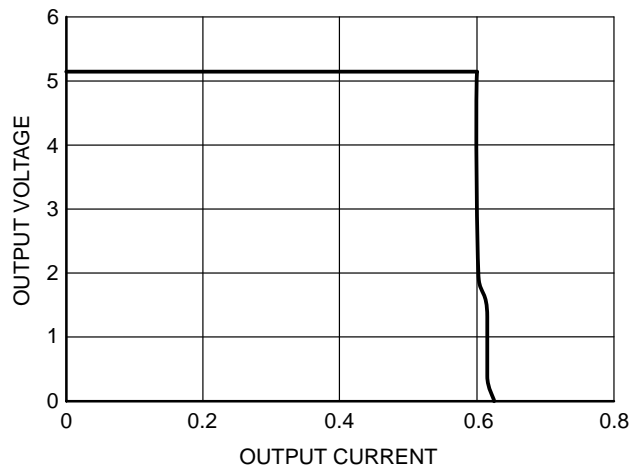


Figure 7. V_o – I_o Characteristic @ 110 VAC Input


AND8042/D

Table 4.

Test	Conditions	Results
Line Regulation	$V_{in} = 90 \text{ to } 264 \text{ VAC}, I_o = 0.6 \text{ A}$	$\Delta = 0.5 \text{ mV}$
Load Regulation	$V_{in} = 110 \text{ VAC}, I_o = 0 \text{ to } 0.6 \text{ A}$ $V_{in} = 220 \text{ VAC}, I_o = 0 \text{ to } 0.6 \text{ A}$	$\Delta = 3.0 \text{ mV}$ $\Delta = 3.0 \text{ mV}$
Output Ripple	$V_{in} = 110 \text{ VAC}, I_o = 0.6 \text{ A}$ $V_{in} = 220 \text{ VAC}, I_o = 0.6 \text{ A}$	40 mVpp 40 mVpp
Efficiency	$V_{in} = 110 \text{ VAC}, V_o = 5.2 \text{ V}, I_o = 0.6 \text{ A}$ $V_{in} = 220 \text{ VAC}, V_o = 5.2 \text{ V}, I_o = 0.6 \text{ A}$	68% 61%

Notes

Notes

ON Semiconductor and  are trademarks of Semiconductor Components Industries, LLC (SCILLC). SCILLC reserves the right to make changes without further notice to any products herein. SCILLC makes no warranty, representation or guarantee regarding the suitability of its products for any particular purpose, nor does SCILLC assume any liability arising out of the application or use of any product or circuit, and specifically disclaims any and all liability, including without limitation special, consequential or incidental damages. "Typical" parameters which may be provided in SCILLC data sheets and/or specifications can and do vary in different applications and actual performance may vary over time. All operating parameters, including "Typicals" must be validated for each customer application by customer's technical experts. SCILLC does not convey any license under its patent rights nor the rights of others. SCILLC products are not designed, intended, or authorized for use as components in systems intended for surgical implant into the body, or other applications intended to support or sustain life, or for any other application in which the failure of the SCILLC product could create a situation where personal injury or death may occur. Should Buyer purchase or use SCILLC products for any such unintended or unauthorized application, Buyer shall indemnify and hold SCILLC and its officers, employees, subsidiaries, affiliates, and distributors harmless against all claims, costs, damages, and expenses, and reasonable attorney fees arising out of, directly or indirectly, any claim of personal injury or death associated with such unintended or unauthorized use, even if such claim alleges that SCILLC was negligent regarding the design or manufacture of the part. SCILLC is an Equal Opportunity/Affirmative Action Employer.

PUBLICATION ORDERING INFORMATION

NORTH AMERICA Literature Fulfillment:

Literature Distribution Center for ON Semiconductor
 P.O. Box 5163, Denver, Colorado 80217 USA
Phone: 303-675-2175 or 800-344-3860 Toll Free USA/Canada
Fax: 303-675-2176 or 800-344-3867 Toll Free USA/Canada
Email: ONlit@hibbertco.com
 Fax Response Line: 303-675-2167 or 800-344-3810 Toll Free USA/Canada

N. American Technical Support: 800-282-9855 Toll Free USA/Canada

EUROPE: LDC for ON Semiconductor – European Support

German Phone: (+1) 303-308-7140 (Mon-Fri 2:30pm to 7:00pm CET)
Email: ONlit-german@hibbertco.com
French Phone: (+1) 303-308-7141 (Mon-Fri 2:00pm to 7:00pm CET)
Email: ONlit-french@hibbertco.com
English Phone: (+1) 303-308-7142 (Mon-Fri 12:00pm to 5:00pm GMT)
Email: ONlit@hibbertco.com

EUROPEAN TOLL-FREE ACCESS*: 00-800-4422-3781

*Available from Germany, France, Italy, UK, Ireland

CENTRAL/SOUTH AMERICA:

Spanish Phone: 303-308-7143 (Mon-Fri 8:00am to 5:00pm MST)
Email: ONlit-spanish@hibbertco.com
Toll-Free from Mexico: Dial 01-800-288-2872 for Access –
 then Dial 866-297-9322

ASIA/PACIFIC: LDC for ON Semiconductor – Asia Support

Phone: 303-675-2121 (Tue-Fri 9:00am to 1:00pm, Hong Kong Time)
Toll Free from Hong Kong & Singapore:
001-800-4422-3781
Email: ONlit-asia@hibbertco.com

JAPAN: ON Semiconductor, Japan Customer Focus Center

4-32-1 Nishi-Gotanda, Shinagawa-ku, Tokyo, Japan 141-0031
Phone: 81-3-5740-2700
Email: r14525@onsemi.com

ON Semiconductor Website: <http://onsemi.com>

For additional information, please contact your local Sales Representative.